

Part number

CAP 10 L229



Brief description:

surface mounting housings with single lever, size "57.27", Pg29 x 2, metal version, IP66

Product description

Version	metal version
Series	surface mounting housings with single lever
Product type	with 1 lever
Style	high construction
Family	CLASS enclosures
Size	size "57.27"

Technical data

Material	metal
IP degree of protection	IP66 (and IP69K DIN 40050 - 9)
Cable entry	Pg29 x 2

Further technical details

Weight	275,00 g
---------------	----------

Approvals / Standards

Quality mark	 (type:4/4X/12),  , EAC
Conformity	CQC, CE

General ordering information

EAN13 code	8015747007689
Tariff number	85369095

Packaging Information

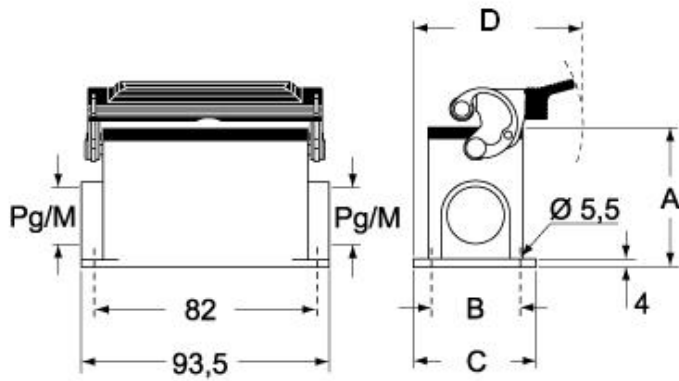
Packaging length	475,00 mm
Packaging height	200,00 mm
Packaging width	150,00 mm
Packaging weight	2,75 kg
Packaging volume	14,25 dm ³
Packaging description	Carton box
Packaging quantity	10 Pcs
Packaging EAN code	8015747236331
Sub-packaging weight	1,38 kg
Sub-packaging description	Plastic pakaging
Sub-packaging quantity	5 Pcs
Sub-packaging EAN barcode	8015747007696

Part number

CAP 10 L229

Catalogue drawings

CHP L - CAP L MHP L - MAP L



CHP LS - CAP LS MHP LS - MAP LS

